

AC/DC power supply unit

KAN-D product line

KAN-D120, 120 W



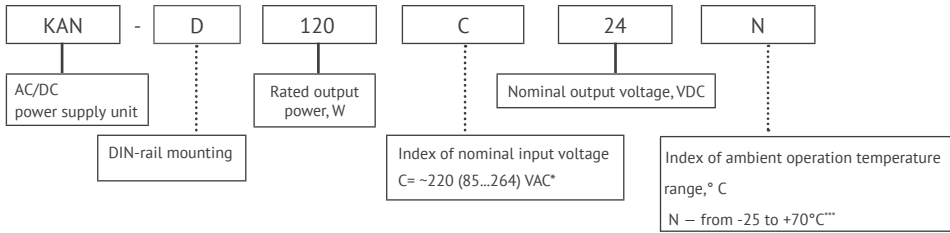
Global Data

Power	120 W
Output current	up to 5 A
Input voltage	~220 (85...264) V
Output voltage	=24 B
Efficiency	≥90%
Ambient operating temperature	-25...+70 °C
Dry contact.....	Based on relay
EMC standart	ENC55022 (CISPR22)
Replacement/Installation	Toolless
Installation.....	DIN rail
Dimensions	42×134×131 mm
Warranty	2 years

Advantages

- ▶ Parallel and series connection
- ▶ Compliance with SIL2 safety level
- ▶ Start from -40 °C is possible.

Ordering information



Output specifications*

Parameter		Value	
Model		KAN-D120C24X	
Output power, W		120 W 150 W at $t_{\text{ambient}} < 50\text{ °C}$ and $U_{\text{out}}=176...264\text{ V}$	
Nominal output voltage, VDC		24	
Adjustment range of output voltage, V	by built-in potentiometer	20...28	
	by Adj.U**	±5%	
Efficiency, %		min .91	
Rated output current, A		5	
Ripple and noise (peak-to-peak)		<2%	
Line and load regulation		no more 2%	
Start-up time, sec		<1 s ($U_{\text{in}}=220\text{ VAC}$)	
Dry contact		Relay contacts dry contact (open state - voltage in nominal range)	
Serviceability output signal	Dry contact	Maximum switchable voltage and current	250 VAC/ 30 VDC/ 1 A
		Relay current consumption, mA	10
		Relay cut-off voltage, V	18...20
	"Diag" output		open collector 100 mA, 20 V max
Parallel connection****	Capacity increase	without additional components	
	Redundant mode	with application KAN-MD40	

Input specifications*

Parameter	Value
Input voltage range, VAC	~85...264(=90...372)
Mains frequency range, Hz	47...63 AC
	0 DC
Consumed current, A	1,39 (~120 V) 0,76 (~220 V)
Inrush current pulse	25 A
Input fuse, A	5 A (inert type, internal)
Power factor corrector	Active
Power factor	>0.85

* All specifications are valid for normal climatic conditions $U_{\text{in, nom.}}$, $I_{\text{out, nom.}}$, unless otherwise noted.

*** Adjustment is made by applying voltage 0...5 V on the Adj.U pin (0 V = $U_{\text{out, nom.}} +4\%$; 5 V = $U_{\text{out, nom.}} -4\%$).

**** With the possibility of starting from -40°

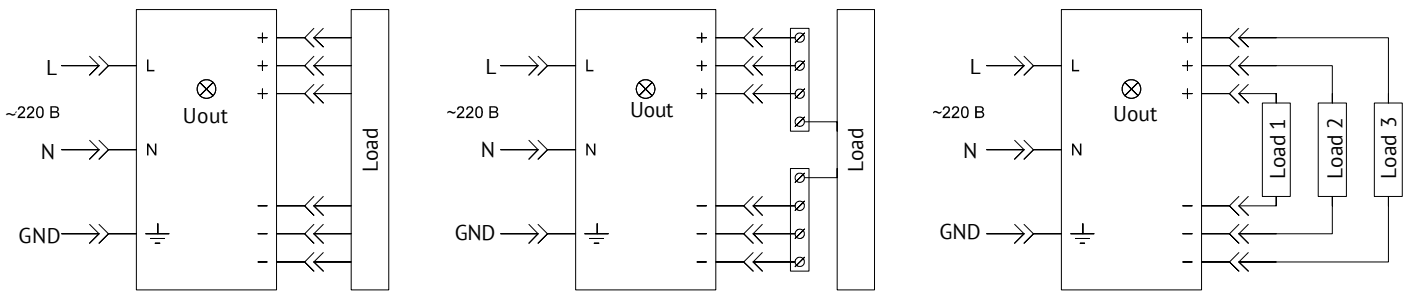
Protections

Type of protection	
circuit protection**	auto recovery
Overvoltage protection**, V	<125% Uout nom

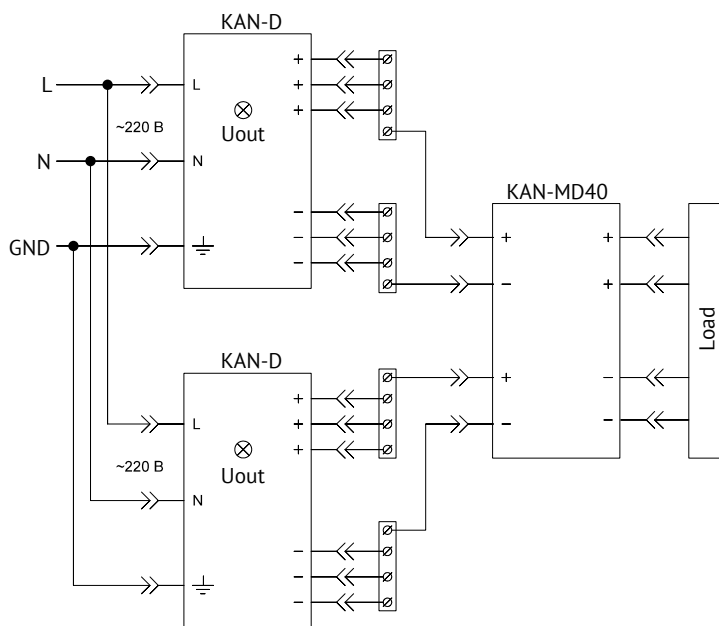
Basic specifications

Parameter		Value
Type of connection		plug-in screw terminals
Derating		-2% / °C after +60°C
Degree of protection		IP20
EMC requirements		EN55022 (CISPR22), Class B
Ambient temperature, operation , °C	N	-25...+70°C
Ambient temperature, storage, °C		-50...+70°C
Permissible humidity(operation)		85% at t° ambient +40 °C (95% at t° ambient +25 °C)
Isolation voltage, V	in /case	~3000 VAC
	in /out	~3000 VAC
	out /case, out/out	~1500 VAC
Isolation resistance @ 500 VDC		≥ 20 MOhm min
Cooling		convectonal
MTBF		1 400 000 hrs
Case material		metal
Dimensions, mm		42x131x134
Weight, kg		no more 0,9
Mounting position		Vertical, for horizontal DIN-rail
Mounting instructions		Indentation between modules should be 5 mm horizontally for non-active modules and 15 mm for active modules. Vertically, there should be a minimum of 50 mm.
Warranty		2 years

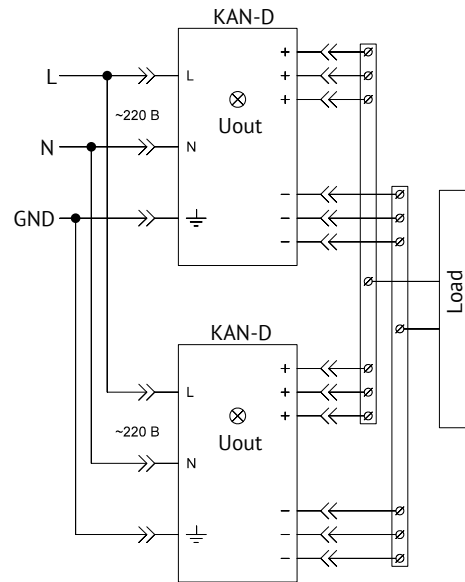
Connection diagram Typical connection



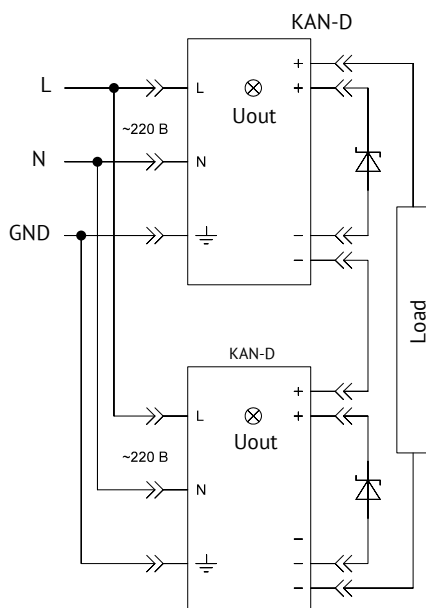
Parallel connection (redundant mode)



Parallel connection (power ramp-up)

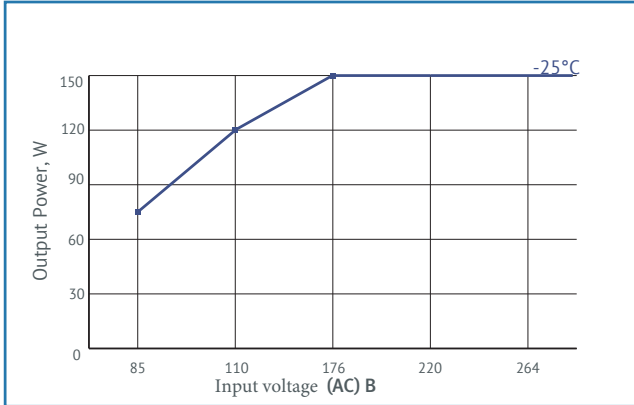


Series connection (no more than 2)

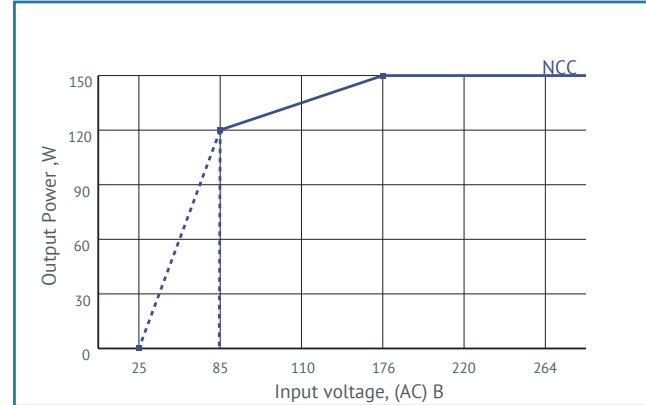


Dereating

Graph of power dependence at startup for -25 °C as a function of input voltage

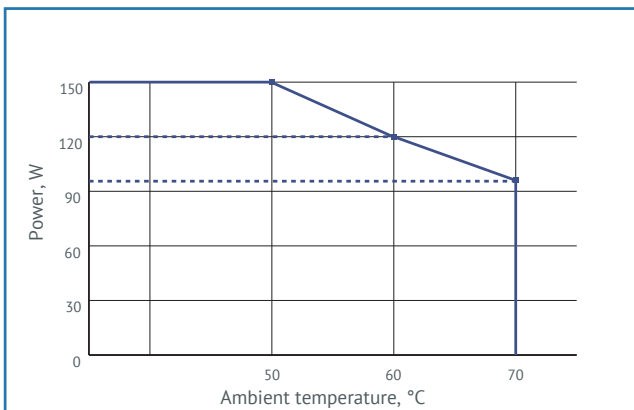


Graph of source power as a function of on supply voltage (50 Hz) in normal climatic conditions

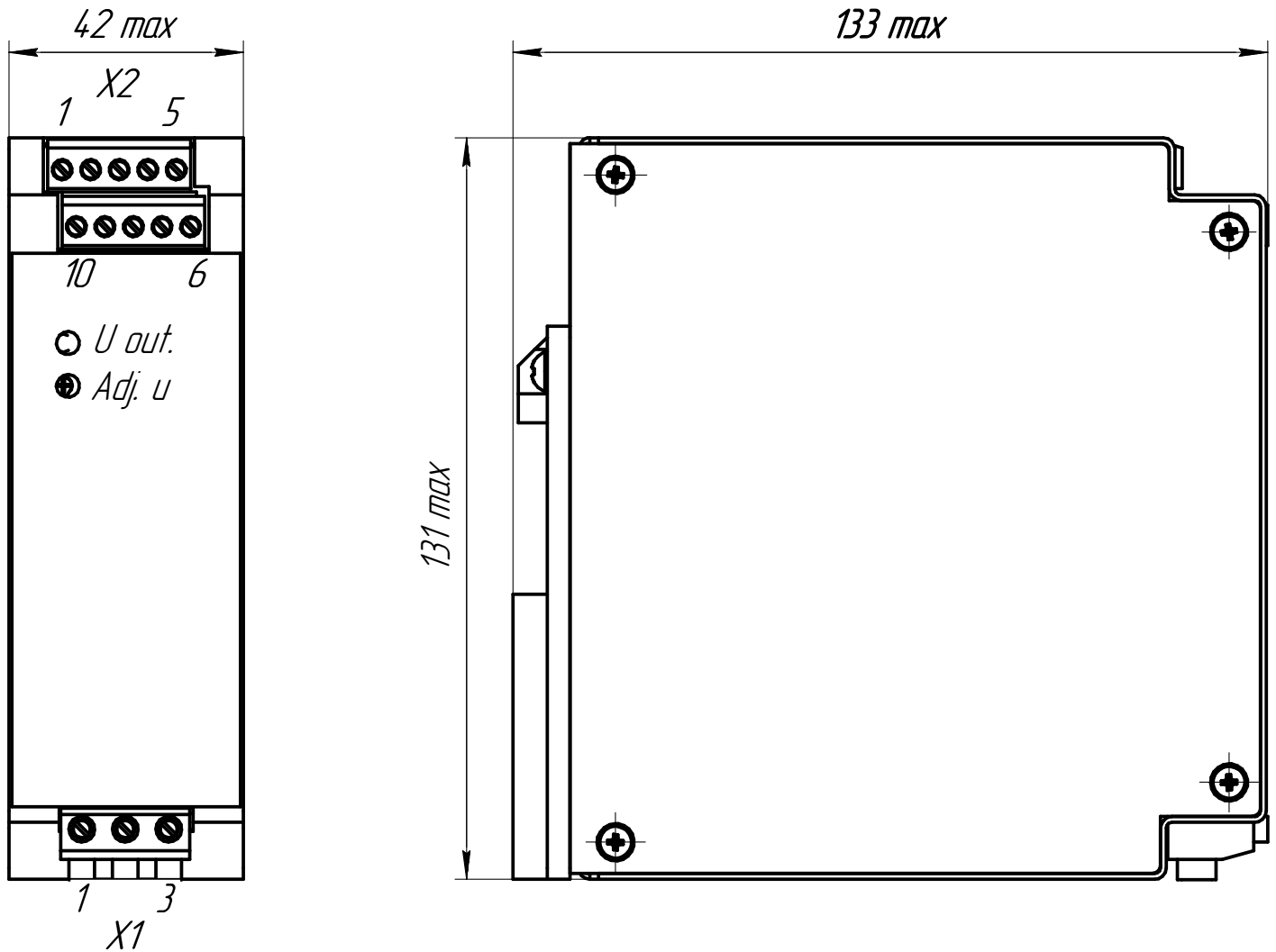


Example: at $U_{in} < 85$ V no start-up occurs, but the module remains functional at the load according to the graph. The module remains operational under load, according to the graph.

Graph of maximum permissible power (load) depending on ambient temperature



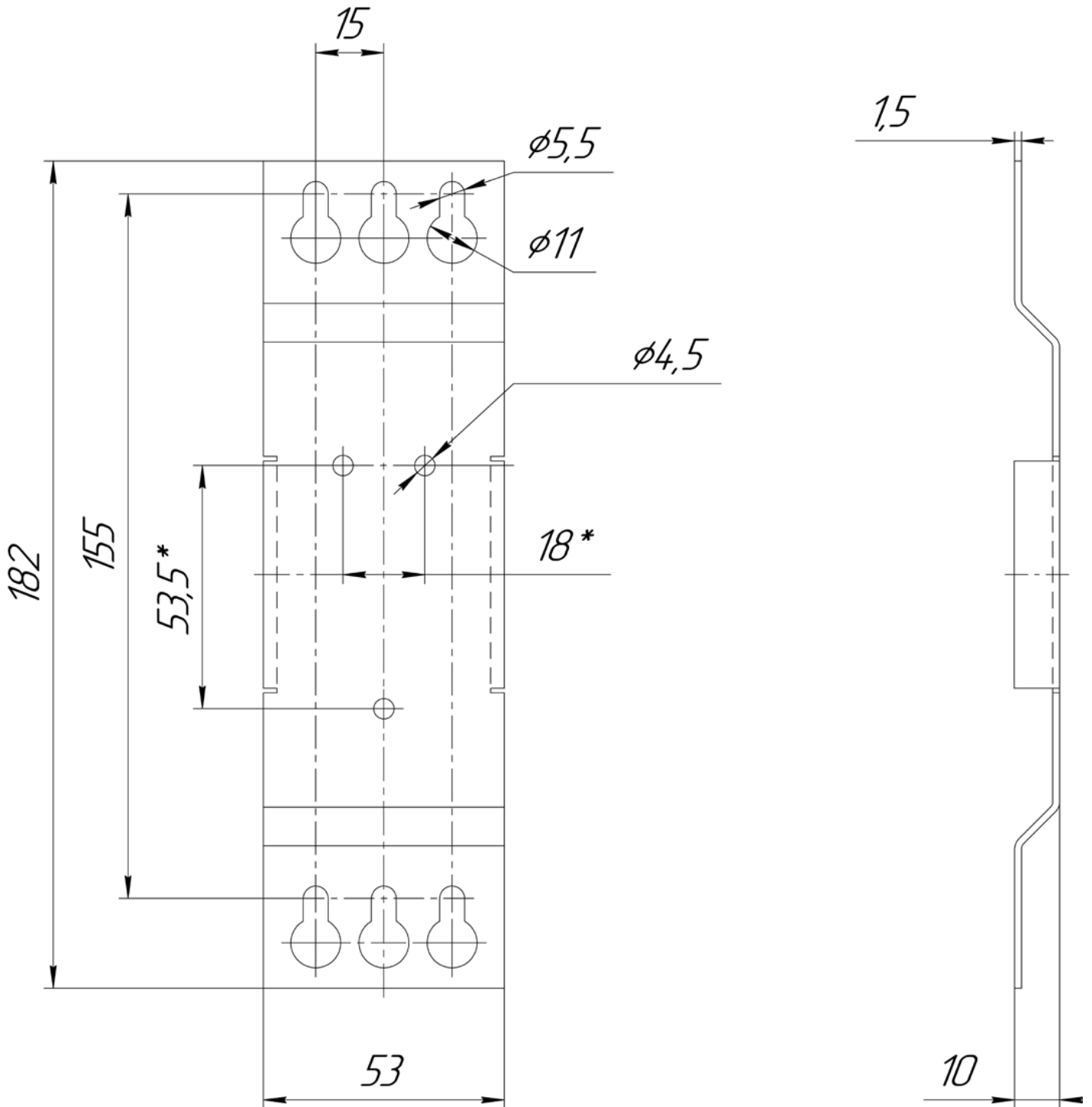
Dimensional drawing



Pin assignment

X1.1	X1.2	X1.3		
L	N	⊕		
X2.1	X2.2	X2.3	X2.4	X2.5
+DRY CONTACT	-DRY CONTACT	-OUT	-OUT	-OUT
X2.10	X2.9	X2.8	X2.7	X2.6
DIAG	ADJ.U	+OUT	+OUT	+OUT

Bracket dimensional drawing
Bracket ANZHE.745422.002



This datasheet is valid for the : KAN-D120C24X

¹ To be ordered separately