

# Diode module

## KAN-series

### KAN-MD40



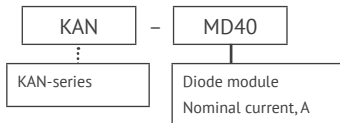
### Basic specifications

Input voltage.....	=12...48 VDC
Output voltage.....	=12...48 VDC
Max. current.....	up to 50 A
Ambient operating temperature .....	-50...+70 °C
Dimensions .....	131×50×135 mm
Warranty.....	2 years

### Features

- ◀ Wide operating temperature range -50...+70°C
- ◀ DIN-rail mounting (toolless assembly)
- ◀ Convective cooling

### Ordering information



### Output specifications\*

Parameter	Value
Output voltage range, V	12 DC...48 DC
Output current, A	40
Characteristics change	50 °C...70 °C (1,25% / K)
Max. power dissipation, (nominal load)	22,8 W (I <sub>out</sub> = 40 A)

### Input specification\*

Parameter	Value
Nominal input voltage range, V	12 DC...48 DC
Max. input voltage range, V	10 DC...60 DC
Nominal input current, A	2 × 20 (-50 °C...+50 °C)
	1 × 40 (-50 °C...+50 °C)
Max. input current, A	2 × 25 (-50 °C...+30 °C)
	1 × 50 (-50 °C...+30 °C)

### Basic specifications

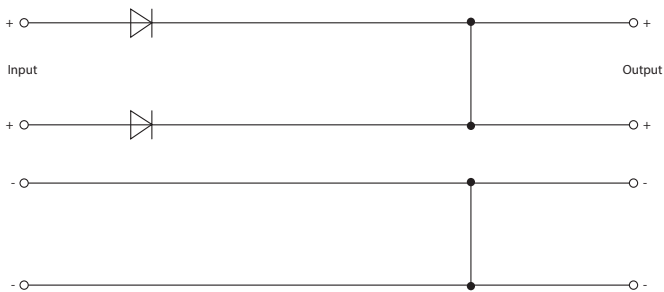
Parameter	Value
Degree of protection	IP20
Ambient temperature, operation , °C	-50...+70°C
Ambient temperature, storage, °C	-60...+85°C
Permissible humidity(operation)	98%/40°C
Isolation voltage in/out-case, V	1500
Cooling	convective
MTBF	2 500 000 h
Case material	metal
Dimensions (W×D×H), mm	131×50×135
Weight, kg	<1
Mounting position	Vertical, for horizontal DIN-rail TH35-7.5
Mounting instructions	Min gap between units: horizontal 5 mm, between active 15 mm; vertical 50 mm
Warranty	2 years

\* All specifications are valid for normal climatic conditions, U<sub>in</sub>. nom., I<sub>out</sub>. nom., unless otherwise noted.

## Terminal specification, input/output

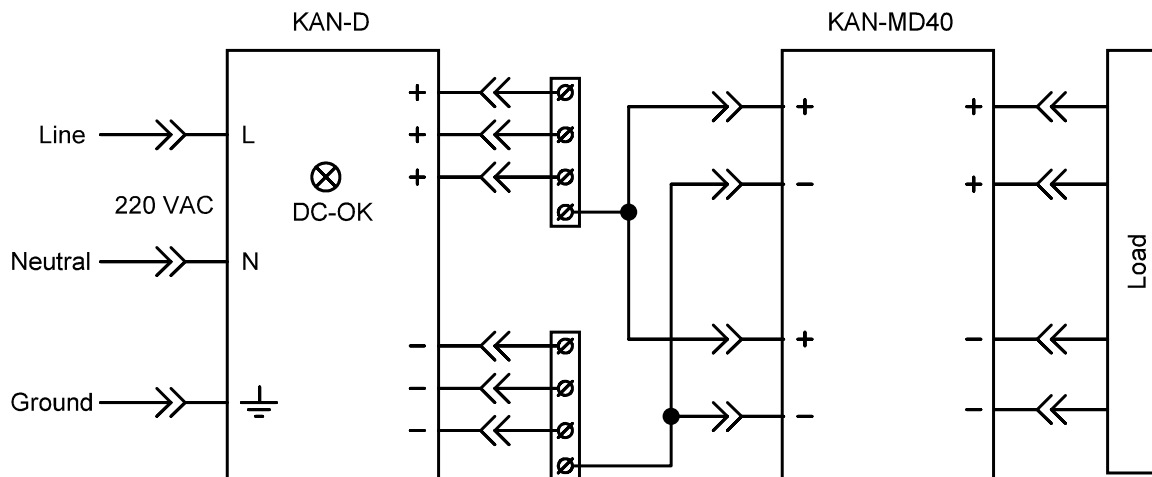
Type of connection	screw terminals
Cross section of the flexible conductor, mm <sup>2</sup> (min)	0,2
Cross section of the flexible conductor, mm <sup>2</sup> (max)	4
Cross section of AWG conductor, min	12
Cross section of AWG conductor, max	10
Strip length, mm	7
Screw thread	M3

## Structure diagram

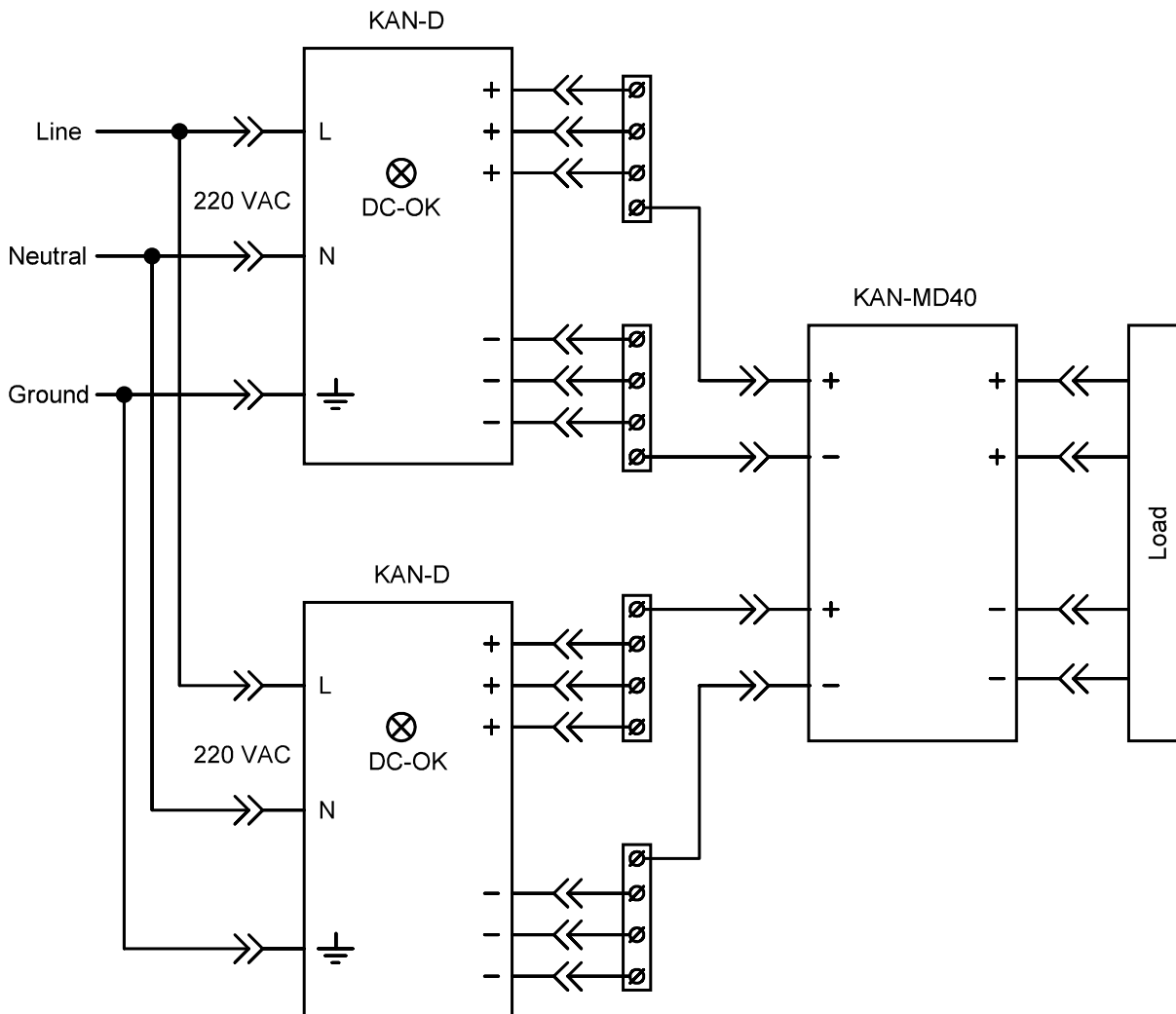


## Connection diagram

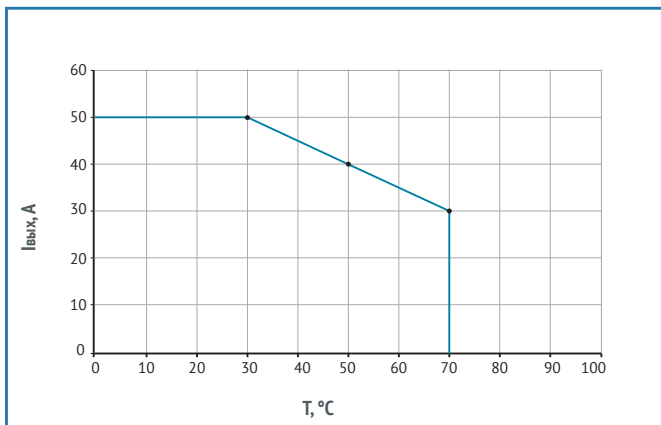
### Application example KAN-MD40+KAN-D



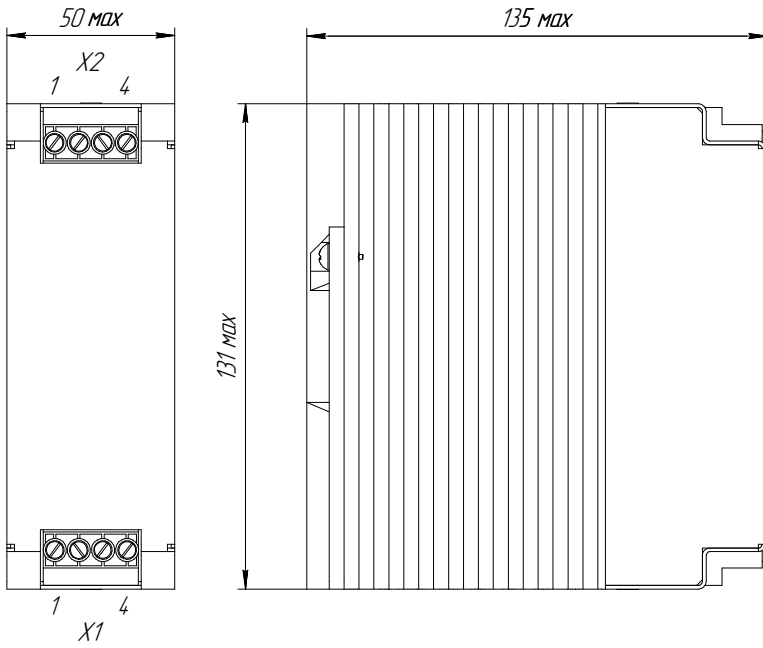
Application example KAN-MD40+KAN-D in parallel operation.



Output current derating  
vs Temperature



## Dimensions



X1				X2			
1	2	3	4	1	2	3	4
+In1	-In1	+In2	-In2	+Out	+Out	-Out	-Out