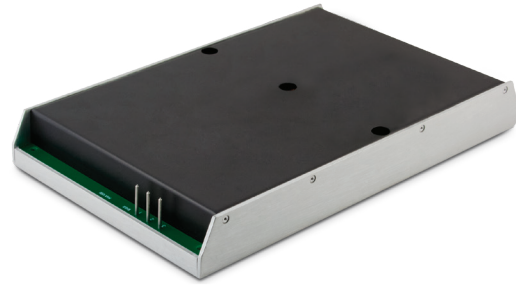


AC/DC power supplies

KWant Family KWant-L1200, 1200 W



Basic specifications

Power	1200 W
Input current	up to 80 A
Input voltage	220 (187...264) VAC
Output voltage	24 VDC, 28 VDC
Efficiency.....	up to 94 %
Case operating temperature.....	-40...+85 °C; -50...+85 °C
Dimensions	284.5×174.5×39.5 mm
Warranty	2 years

Advantages

- ◀ Design to meet MIL-STD-810G and MIL-STD-461E
- ◀ Parallel and series operation
- ◀ Output voltage adjustment
- ◀ Conductive cooling



Description of KWant-L1200 on the manufacturer's website:
eng.kwsystems.ru/catalog/acdc/models/12

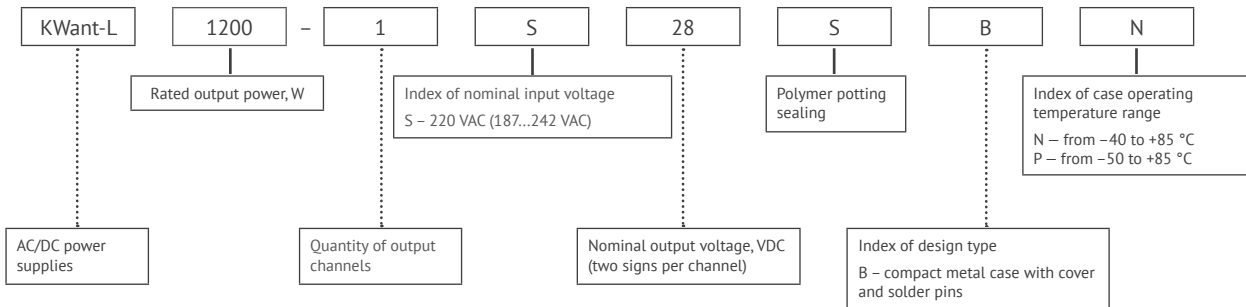
Order registration

+7 473 200 87 80, Global Operations Team

Technical support

Yuri Kazaryan, techsupport@kwsystems.ru

Ordering information



Input specifications*

Parameter		Value
Input voltage range, VAC	S	187...242 (263...340 VDC)
Transient deviation range, VAC	S	176...264
Transient time	S	1 s.
Mains frequency range, Hz	S	47...440

Output specifications*

Parameter	Value	
Nominal output voltage, VDC	24	28
Output voltage adjustment	10 %	
Efficiency, %	80	94
Rated output current, A	50	42.86
Ripple and noise (peak-to-peak)	<2 %	
Line and load regulation	max 2 %	
Start-up time, ms	<2000	
Parallel operation	redundancy, and boost of power	
Remote on/off	Off at 3.5...4.5 VDC (15...30 mA) output «REMOTE OFF»	
Maximum load capacity	11000 µF (Uout=28 VDC)	

* All specifications are valid for normal climatic conditions (ambient temp. +15...+35°C; relative humidity 45...80%; air pressure 8.6*104...10.6*104 Pa), Uin. nom., Iout. nom., unless otherwise noted.

Protections

Type of protection	
Short-circuit protection*	auto recovery
Overcurrent protection	$P_{max} < 1.8 P_{nom}$
Overload protection level*	$< 125\% U_{out, nom.}$
Overheat protection	triggers at case temperature $> 85^{\circ}\text{C}$

Basic specifications**

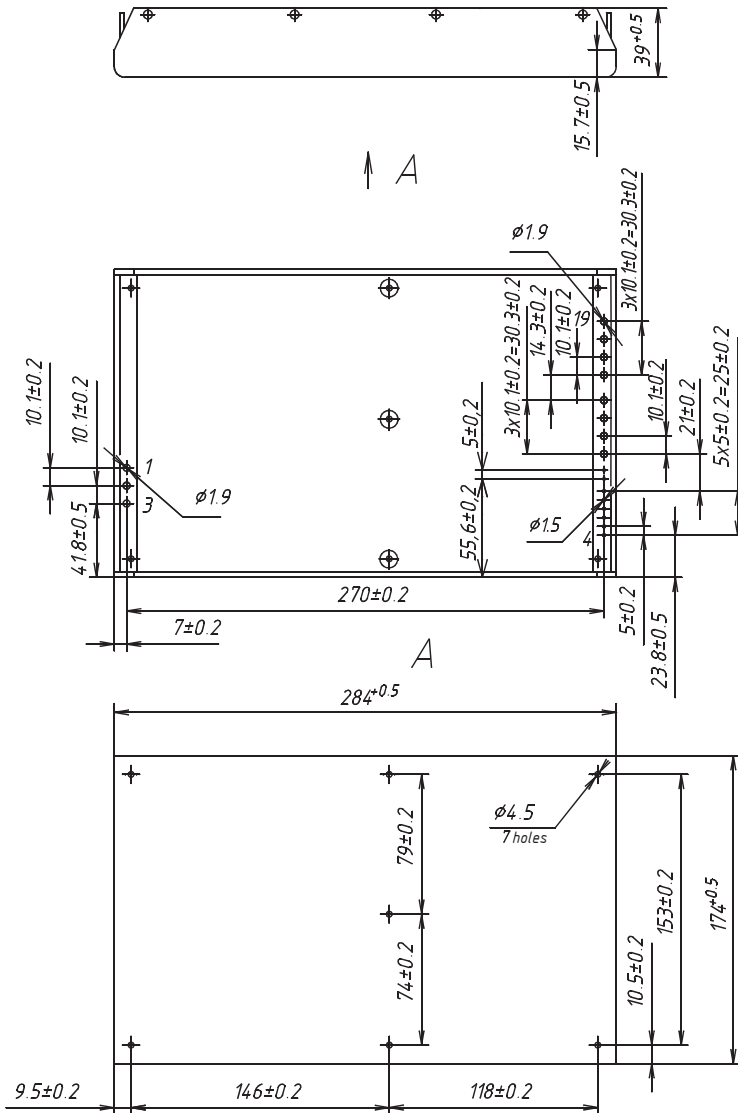
Parameter		Value
Type of connection		solder pins
Protection level		IP20
Case temperature, operating	«N»	$-40 \dots +85^{\circ}\text{C}$
	«P»	$-50 \dots +85^{\circ}\text{C}$
Case temperature, storage		$-50 \dots +70^{\circ}\text{C}$
Humidity		98 % / 35°C
Isolation voltage	in /case	$\sim 1500 \text{ VAC}$
	in /out	$\sim 1500 \text{ VAC}$
	out /case, out/out	$\sim 500 \text{ VAC}$
Isolation resistance @ 500 VDC		$\geq 20 \text{ MOhm min}$
Cooling		conductive, forced air
Environmental influence standards		design to meet MIL-STD-810G
EMC standards		EN55022 (CISPR22); design to meet MIL-STD-461E
Typical MTBF		3 000 000 Hrs
Case material		metal
Dimensions, mm		284.5×174.5×39.5
Weight, kg		< 4.5
Warranty		2 year


* Parameters are stated for the information purposes and could not be used at long term work, exceeding maximum output current, operating outside of a working temperatures range or when output voltage is over the range of adjustment.

** All specifications are valid for normal climatic conditions, $U_{in, nom.}$, $I_{out, nom.}$, unless otherwise noted.

Dimensions

Single-channel design with solder pins



PIN #	1	2	3	4	5	6	7	8	9
SINGLE-CHANNEL		N	L	PARAL	+RS	-RS	+REMOTE OFF	-REMOTE OFF	TRIM
PIN #	10	11	12	13	14,15	16,17	18,19		
SINGLE-CHANNEL	-U FAN	+U FAN	+OUT	+OUT	-OUT	-OUT	+OUT		



www.kwsystems.ru info@kwsystems.ru

KW Systems, LLC is the leading Russian developer and manufacturer of AC/DC converters and power supply systems for mission critical applications.

Druzinnikov str. 5B, Voronezh, 394026, Russia. +7 473 200-87-80